

VPT-681

USER MANUAL



Javes Projector

Address: Room 207, 2/F., Block B, Seaview Estate, Watson Road, North Point, Hong Kong.

Tel: (852) 2887 5151

Fax: (852) 2503 1144

e-mail: jng@javesprojector.com

Read before use

Thanks for purchasing the projector.

The projector is our newly product. It is a niche product with mini-outlooks, innovative designed, high performance. It is a nice device for meeting, personal party and some other party. Convenience is product's merit. The product supports video, photo, music, power point, PDF/Excel/Word.

✧ For your attention

1 Please do not throw the product into fire, or it will cause the danger of explosion.

2 Please do not immerse the product into water or get soaked since the charging function of the player will lost.

3 Please do not disassemble or repair the product by you self. This will affect the guarantee of the repairing for the product.

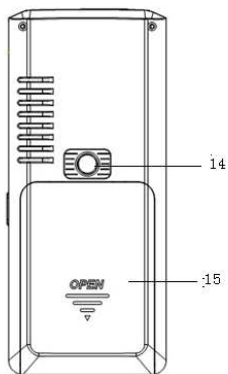
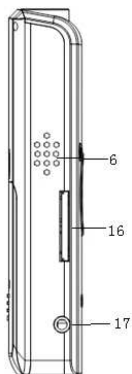
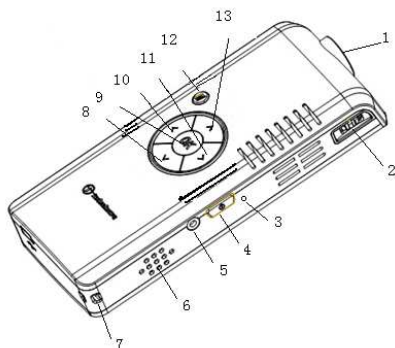
4 Please do not use the product at high temperature or humidity or dusty condition.

5 The last explanation for the product is subject to our company.

Catalog

Read before use	0
For your attention	1
Product overview	3
Buttons.....	4
Main menu	5
Basic operation.....	5
Turning on/off	5
charging	错误! 未定义书签。
Video	6
Photo	6
Music	7
PPT.....	7
PDF/Excel/Word.....	8
SET.....	8
USB connect	9
AV connect.....	9
Specification	9
Troubleshooting	10

Product overview



✧ Buttons

1 camera lens

2 focus button : Manual focus

3 LED light

4 power button: turning on/off

5 earphone jack

6 loudspeakers: it's for the voice out put.

7 suspension hole: it's convenient for taking.

8 down choice: down choice and decreasing volume

9 PLAY button: play/stop/pause/enter/confirm

10 last/backward

11 Next/Forward

12 menus: enter/exit menu, exit.

13 up choice: up choice and increasing volume

14 supporter hole: it's for in-jacking the triangle supporter

15 battery door

16 SD/MMC card jack

17 AV jack: In put audio or video data through AV cable

✧ **Main menu**

Video: WMV、MPEG、MPG、MP4、AVI、3GP、ASF、MOV

Photo: supporting JPG、BMP、PNG、GIF

Music: supporting WMA、MP3、WAV format

SET: here you can set the language and USB set

PPT: power-point word

PDF: PDF file

Excel: excel file

Word: word file

Basic operation

✧ **Turning on/off**

Turning on: Turn on the device, please long press the power key for a minute.

Turning off: Turn off the device, please long press the power key for a minute.

✧ **Charging**

There are two methods for charging. One is using computer, the other is using adapter. When charging, the LED light will be on.

1 using computer: connect the projector and computer with USB cable correctly.

2 using adapter: connect the projector and the adapter included, then connect the adapter to AC plug.

✧ **Video**

When enter main menu, press </> key to choose video mode, then press OK key to enter. You can press </> key to choose a file you want, then press OK key to play, press OK key again will stop the video. If you want to adjust the volume, please press up/down choice. Pressing focus key can make the video clear and blurred. Pressing key M to exit and enter main menu.

✧ **Photo**

When enter main menu, press </> key to choose photo mode, then press

OK key to enter. Pressing </> key to choose picture you want to view, then press OK key to confirm. If you want to view the picture clearly, please press focus key to adjust. Press </> key to view last or next picture, and press up/down choice to enlarge or lessen the picture, then press key M to exit and enter main menu.

✧ **Music**

When in main menu interface, press </> key to choose music mode, then press OK key to enter submenu: NAND, Windows. Pressing </> key to choose a file, and press OK key to confirm and enter another submenu (many music files or songs). If you chose a song, then Pressing OK key again to play; and if you choose a music file, you should press OK key more than twice to play songs(in this mode, the songs can be played one after another automatically). If you want to stop music, please press OK key. If you want to adjust volume, please press up/down choice. Pressing </> key will fast backward or forward. Then pressing M key can exit and enter main menu.

✧ **PPT**

When in main menu, press </> key to choose PPT mode, then press OK

key to enter submenu: NAND, Pressing OK key to enter. then pressing </> key to choose a PPT file, pressing OK key to play, you can press up/down choice to choose the page you want to view. if pressing M key, it will exit and enter main menu.

✧ PDF/Excel/Word

When entering main menu, press </> key to choose PDF/Excel/Word, press OK key to enter. After entering PDF/Excel/Word, you can press </> or up/down choice to choose and then press OK key to enter, then press OK key to read. Here you can also press keys </> or up/down choice to read. When you press key M, it will return back to main menu.

NOTE: It has a limitation for the pocket word. So, when the file is too large to open, and the device become dead, please restart it

✧ SET

In main menu, press </> to choose SET, then press OK key to enter a submenu. Here you can choose language or USB set through pressing keys </>, and press OK key to enter. There are Chinese and English in language set. In USB set, there are synchronous mode and U-FLASH driver mode.

✧ **USB connect**

After connecting projector and computer with USB cable, you can download some data to the projector itself or to the SD/MMC card (the SD/MMC card should be input firstly).

✧ **AV connect**

You can play audio or video data by the projector through AV cable attached.

Specification

CPU	ARM926	500MHZ
Storage System	64 MB	
Flash	1—8GB	
SD/MMC	Supported	
Picture Format	JPG、BMP、PNG、GIF	

Audio Format	WMA、MP3、WAV
Video Format	WMV、MPEG、MPG、MP4、AVI、3GP、ASF、MOV
Resolving Power	Pixels 640 x 480 x 3
Luminance	15 lumens
Battery	Li-ion Polymer battery (3.7V)
Dimension	41mm x 28mm x 12mm

Troubleshooting

Symptom	Possible problem	Solution
The device does not power on	The battery is used out	Check the battery volume and recharge the battery.
The interface is dead when opening WORD file	The WORD file is cracked down.	Restart the device
SD/MMC card error	SD/MMC card is broken	Change another card
	SD/MMC card is not set up well	Check the card, make sure the card is set up well
	SD/MMC card is dirty	Clean the SD/MMC card

No sound	Volume is turned to minimum	Check volume level and increase the volume
	Music or video file is error	Make sure the file type is true.
Noisy interruptions	Music or video file is corrupted	Try playing another file
	The loudspeaker is dirty	Clean the loudspeaker
Cannot download files	The SD/MMC card is full	Delete unwanted file to free some space
	SD/MMC card is not set up well.	Check the card; make sure the card is set up well.