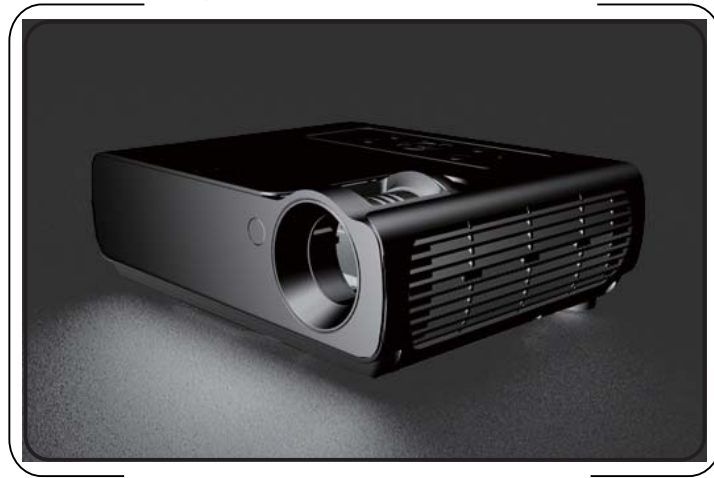


JAVES

Projector & Screen

User Guide



DLP Front Projector

ADX-525 / ADS-523 / ADS-513

FCC Warning

This equipment has been tested and found to comply with the limits for a Class A digital device, pursuant to part 15 of the FCC Rules. These limits are designed to provide reasonable protection against harmful interference when the equipment is operated in a commercial environment. This equipment generates, uses, and can radiate radio frequency energy and, if not installed and used in accordance with the instruction manual, may cause harmful interference to radio communications. Operation of this equipment in a residential area is likely to cause harmful interference in which case the user will be required to correct the interference on his own expense.

Safety Certificated

Other standards authorized by the state may be suitable for our products as well, please refer to the product authentication label for more details.

EMC Electromagnetism Compatibility EN 55022

EN 55024

EN 61000-3-2

EN 61000-3-3

Low Voltage Directive 73/23/EEC, Amended by 93/68/EEC

Safety EN 60950-1:2001

Content

Warning, Certification, Declaration	1
Content	2
Note	3
Introduction	5
Image Resolution	5
Compatibility	5
Package Unfolding Notice	5
Usage Guide	8
Help	8
Maintenance	8
Installing Projector	9
Connecting a Computer	11
Connecting a video device	12
Turning on the Projector Power Supply	14
Turning off the Projector power supply	17
Using the Projector	18
Adjusting the projector	19
Using the remote control	20
Using the control panel and keypad buttons	21
Using the menus	22
Maintenance and Error Solutions	28
Cleaning the lens	28
Cleaning the lamp filter	28
Replacing the projection lamp	29
Replacing the remote control batteries	31
Using the security lock	31
Error Solutions	32
Appendix	36
Accessories	36
Projection image size	37

Operating Considerations for Safety

Please read and conform to the operating considerations strictly before attempting to operate the projector. Otherwise, fire, thunder damage or person injure may be caused and the equipment protection may be destroyed or weakened as well. Please preserve all security introductions well.

Security Definition:

- Warning: explanation for the operation that may hurt person
- Caution: explanation for the operation that may damage the equipment.

Security Tag:



Note: please refer to User's Guide for the usage explanations of diversified functions.



Warning: the surface is very hot, please don't touch!





The arrow, used to point to the lamp door on projector.



Warning: turn off the projector and unplug the power cable, and turn on the lamp module after 60 minutes.

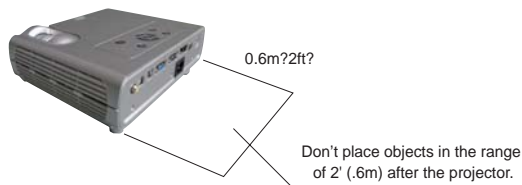
Security Considerations:

- Warning: please don't look the lens with the direct-vision after the projector's power supply is turned on.
- 
 Warning: when the projector lamp need to be replaced, please turn off the projector and unplug the power cable, for avoiding burn hurt, after 60 minutes to turn on the power switch. The considerations mentioned in the User's Guide should be conformed.
- 
 Warning: use the power supply cable offered specially, and connects it to the safety earthing protected socket.
- Warning: the projector should be maintained by special service workers when the error occurs, individual maintenance will disable the service guarantee.
- Caution: the ventilation hole shouldn't be covered. Caution: liquid substance putting on the projector is forbidden, the spills may damage the projector.
- Caution: the projector laying on the hot one is forbidden, exposure under the sun neither.
- Caution: preventing the projector from falling, the approved cases (Listed as page 37) must be covered.

Important Operating Considerations for Safety

- Place the projector in a horizontal position no greater than 15 degrees off axis
- Locate the projector in a well-ventilated area without any obstructions to intake or exhaust vents. Do not place the projector on a tablecloth or other soft covering that may block the vents.
- Locate the projector at least 4' (1.2 m) away from any heating or cooling vents.
- Refer to this guide for proper startup and shutdown procedures.
- In the unlikely event of the lamp rupturing, discard any edible items placed in the surrounding area and thoroughly clean the area along all sides of the projector. Wash hands after cleaning the area and handling the ruptured lamp. This product has a lamp which contains a very small amount of mercury. Dispose of it as required by local, state or federal ordinances and regulations. For more information, please login www.eiae.org.

To ensure the image quality and lamp life, please follow the instructions. Otherwise, the product maintenance guarantee may be affected.



Introduction

The new-designed projector has the advantages of convenient taking away, simple connection and harmonious coordination, which is not only easy to connect, easy to use, but also easy to maintain.

Image Resolution

The resolution of the projection image (XGA) is 1024*768, compatible with the projector screen with the resolution of 1280*1024 at most. The computer resolution should be adjusted to be lower while it is higher than 1280*1024 before connecting to the projector.

Compatibility

The projector supports diversified computers and video equipments compatible, which include:

Computers with IBM compatible (desktop included, resolution 1280*1024 permitted mostly).

Apple Macintosh and PowerBook computers (resolution 12*1024 permitted mostly)

Most VCR, DVD player, Video camera, digital camera and laser CD player complied with the common standards.

Package Unfolding Notice

The projector items as shown on Fig.1. Please make sure all lists are included. Otherwise, contact the seller for missing immediately.

If you are experienced in setting up prease Remote Control and Batteriesntation systems, use the included Quick Set Up card. For complete details on connecting and operating the projector, refer to this User's Guide.



Note: the projector can extend the image with the resolution from 640*480 or 800*600 to 1024*768 automatically.



Fig.1

The items included in the package

- | | | | |
|---|--|---|------------------------------|
| 1 | Projector | 2 | Remote Control and Batteries |
| 3 | Audio/Video Cable | 4 | Power Cable |
| 5 | Computer Cable | | |
| 6 | 《User's Guide》 and 《Quick Set Up card》 | | |

*The item with * may be vary in different countries.

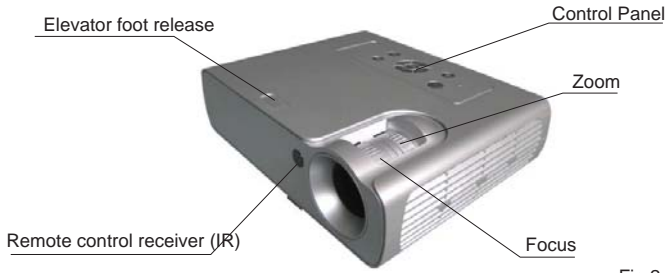


Fig.2

Projector Former Vision

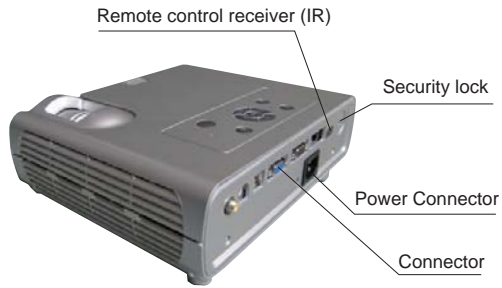


Fig.3

Projector Rear Vision



Fig.4

Projector Bottom Vision

Usage Guide

- Please don't look the lens with the direct-vision after the projector's power supply is turned on, the glare may burn your eyes.
- Make sure vents aren't blocked, the airflow-prevented may cause the projector to shut down because over heat. If it occurs, please remain the projector to cool for one minute and then turn on.
- Like moving the glass structures, be extremely careful when removing the projector, prevent from being fall off.
- Avoid the projector from exposing under the sun or extreme low temperature, if it occurs, which can only be used until it reach the temperature of surrounding
- When moving the projector, the case covered must be approved by the manufacture.

Help

If you need a help, please look up the User's Guide in advance, the consideration of "Error solutions" listed on Page 33 should be viewed, or login our website "<http://www.amt-prc.com>" for more information.

Maintenance

The maintenance guarantee we offered are limited, the prolonged service can be purchased from the seller.

When the projector need to be maintained, the coverage used originally is recommended, or packed well by the specialized package company, and please purchase the full coverage.

Installing Projector

1 Level off the projector.

- The distance between the projector and power supply, or computer can't be over 6' (1.8m).
- The projector should be put behind the screen when it is semitransparent, please refer to the "Rear Projection Installation" on page 24 to master how to reverse the image.

2 Adjust the projector to suit the screen.

- Adjust the zoom when the image is not suitable, or move the projector forwardly or backwardly. As it is shown on Fig.5, lists the three projection images.



Note: the distance between projector and screen must be no less than 4.9'(1.5m).

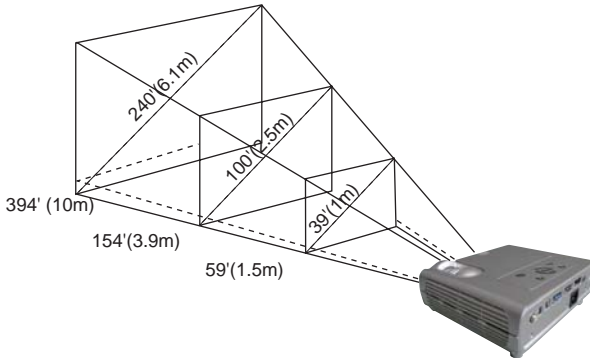


Fig.5

Projection Image Size

Make sure the power supply of projector and computer are all shut down.



Note: please make sure the power supply of the projector and other equipments are all shut down besides other operations, if the computer needs to be connected, the distance between computer and projector shouldn't be more than 2m.

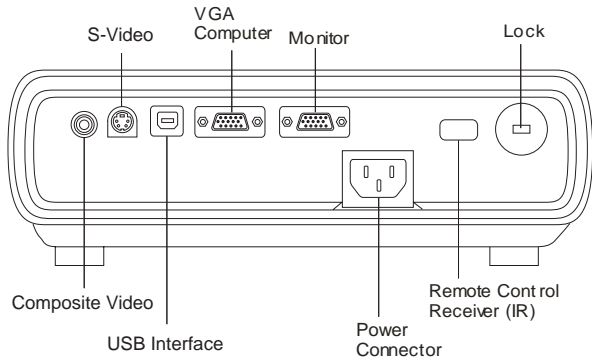


Fig.6
Connector Panel

Connecting a Computer

A simulate computer connection cable is available in your projector case, if your computer supports digital signal output, the digital connection Error: the image is not focus cable can be purchased to receive the signal as quickly and as clearly as possible with superior quality. Refer to the "Available Accessories" on page 37.

- 1 Connect the black end of the computer cable to the "Computer Connector" on the projector.
- 2 Connect the blue end to the video port on your computer. If you are using a desktop computer, you need to disconnect the monitor cable, from the computers video port at first.

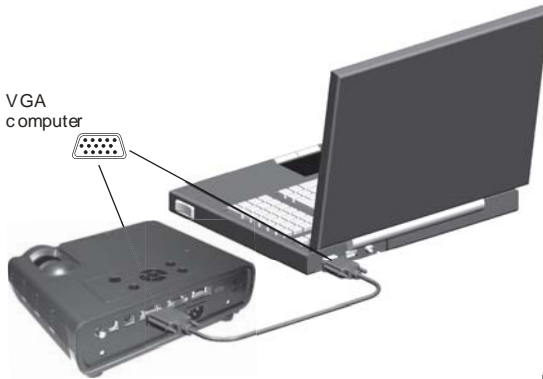


Fig.7

Connecting a Computer

Do you want to view the Powerpoint with the remote control?

- 1 Connect the USB end to the mouse port on your computer. The proper USB driver should be installed on your computer. Some suitable drivers are included in Windows 98. Please refer to "Turn on projector power" shown on Page 11 for details.

Now, the power supplies of the projector and computer can be turned on, jump to the 11 page for reference.



Note: some desktop computers will not enable the external video connectors automatically when the display equipments (such as projector) are connected, please refer to the computer guide for the commands of activating outer ports.



Note: USB mouse is supported under the system of Windows 98 or superior only.

Connecting a Video Device

If the video device (VCR, DVD player, video camera) uses a single-prong, round compound video connector, please adopt the audio/video (A/V) cable.

- If the video device uses a round, four-prong S-video connector, please purchase the S-video connector which can generate the image with superior quality.

1 Plug the audio/video (A/V) cable's yellow round connector into the video-out connector on the video device, the connector may be indicated with "To Monitor".

- If the S-video cables are adopted, please plug the black round connector into the S-video out connector on the video equipment.

2 Plug the remaining yellow connector into the Video connector on the projector.

- If the S-video is adopted, please plug the remaining connector into the S-video connector on the projector.

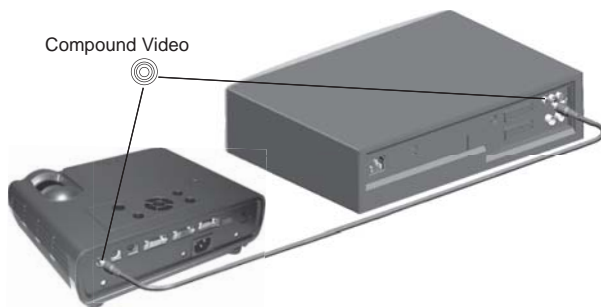


Fig.8

Connect the projector to VCR with the video cables

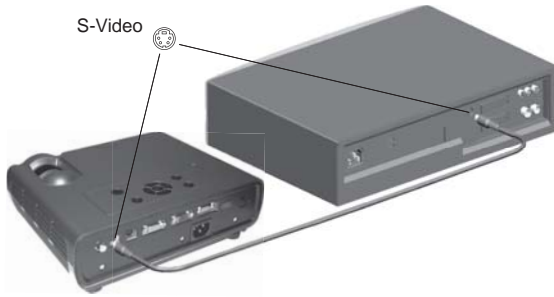


Fig. 9

Connect the projector to VCR with S-video and Video cables.

3 Adopt the S-video cable and Video cable simultaneously.

The compatible video standards of the projector can be listed as: NTSC, NTSC4.43, PAL, PAL-M, PAL-N, PAL-60 as well as SECAM. The input video can be adjusted to optimize by the projector automatically.



Caution: there may be the Video Out connector which is used for coaxial line connecting. It can't be used to connect the projector.



Note: the power supply cables offered by the projector seller should be used extremely.



Note: when the projector connects the computer for the first time, the computer will show "Detect a new hardware" and the new hardware guide will be popped up, add the proper driver under the direction of the guide (the projector is considered as a "Plug and Play" display).

Turn on the projector power supply

1 Plug the power cable into the side of the projector and plug the remaining into the power supply slot, the surge protection wiring board is suggested.

- The LED indicator will be shown with blue (Fig.6 on page 6).

2 Press the power button on the top of the projector.

- The fan will run as long as the projector connects well, the LCD indicator will be shown with red (Fig.6 on page 6) and then the screen will be initialized, after one minute, the image will be clear.

3 If there is a video player available, please turn it on.

- The image should be shown on the screen, if not, pressing the Source/Select on keypad or Video button on remote control to display.

4 If there is computer available, please turn it on.

- When the projector connects the computer for the first time, the computer will show "Detect a new hardware" and the new hardware guide will be popped up, add the proper driver under the direction of the guide (installed accompanied with Windows).



Select "The optimized driver" and click "Next".



Cancel the selection and click “Next”, Windows will query the driver automatically. When the driver has been deleted, please reload it with the Windows OS disk.



After the driver is found, click “Next” to install.



Note: for some computers, the equipments initializing sequence is extremely important. Most computer power supplies should be turned on after the remaining peripherals are enabled. Please refer to the computer introductions for the details.



After the installation is finished, click "Finish".

5 The computer image should be shown on the screen, if not, pressing the Source/Select on keypad or Video button on remote control to display.

- Make sure all the external connectors on the desktop computer are enabled (please refer to the desktop computer introductions for details).
- Adjust the image with the projector menu, if necessary. Press "Menu" on the control panel or remote control to open the menu list. Please refer to Page.21 for the details.

Turning off the projector power supply

Press “Power” to turn off the projector power supply and a confirming window will be shown, press the button again to confirm and the lamp extinguished. After the fun working and LED indicator displaying yellow for 90 seconds, the projector shuts down. Unplug the power cable until the LED shown with saffron in stable.

If the power supply of lamp needed to be turned on, cool the lamp for 90 seconds in advance. Otherwise, it will not be lit.

Use the “Display Power Management System”, the projector power supply can be shut down automatically when there is non active single detected. Please refer to Page 24 for details.



Notice: to prolong the lamp natural life, please turn off the projector power supply after 5 minutes working.

Using the Projector

This chapter introduces how to use and adjust the projector. Besides, the buttons on control panel or remote control, available items on screen are all mentioned here.

Basic Adjustment on Image



Notice: to reach the superior image quality, please open the menu to adjust the focus.

- 1 Make sure the power supplies on the equipments are turned on in correct sequence (refer to page11),
- 2 If the image shown is not integrated, please rotate the zoom (refer to the figure listed as following), or adjust the projector height (refer to page16), or center the image position in level or vertical (refer to page 23). The projector should be positioned at a 90 degree angle to the screen.
- 3 Rotate the focus to precise it.
- 4 Adjust the brightness, contrast, tone or saturation to pretty the colors (refer to page21).
Adjust the zoom or focus rings (page10) by rotating them until the desired image size and focus are produced.

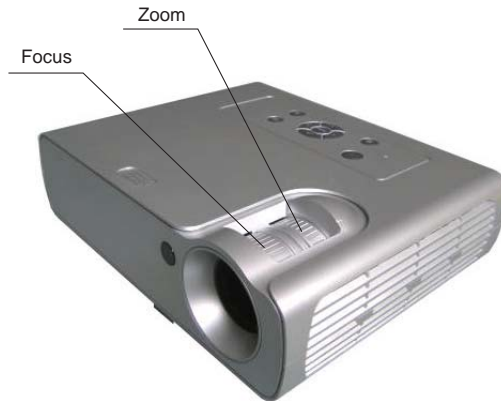


Fig.10
Focus and Zoom

There are the “elevator foot release” and “leveling foot” available on the projector, if the projector need to be hoisted, please follow the steps:

1 Hoist the projector to the height required and press the “elevator foot release” button to fix it. .

2 Rotate the “leveling foot” to adjust the image, if necessary.



Fig.11

Adjust the projector height.

Remote Control

If the remote control needs to be used to operate the PowerPoint, the USB cable of projector must be connected to the computer.。

Make sure you are pointing the remote at the projector or screen, not the computer, and are within the remote range of 30 feet (9m). For the best effect, please point the remote at projector directly.

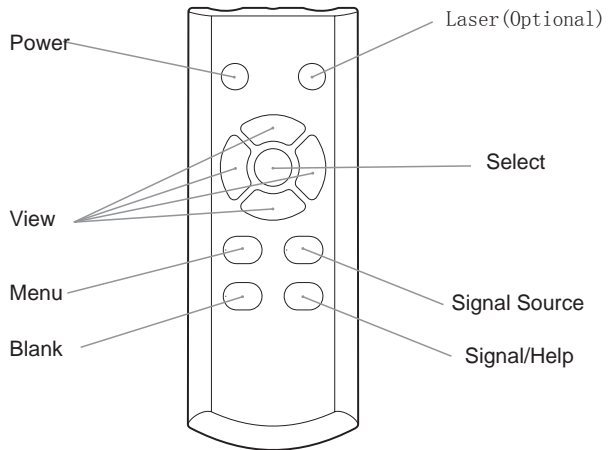


Fig.2

Remote Control

The “Previous” and “Next” on remote control can be pressed to view the Microsoft PowerPoint (Temporary).

Using the control panel and keypad buttons

Use the Up/Down arrow buttons to adjust the image Keystone feature and use the Left/Right buttons to adjust the loudspeaker Volume.

Please refer to "Menu usage" on Page20 for details.

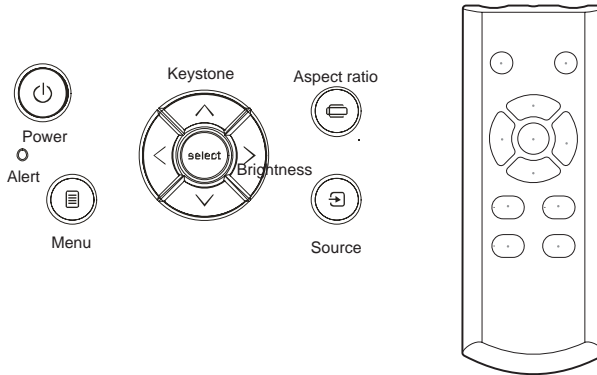


Fig.13

Control Panel and Remote Control Buttons

Using the buttons on control pane

The buttons are described in most chapters particularly, here introduce them sketchily:

Power: used to turn on or turn off the power supply of projector.

Menu: used to turn on the screen menu.

Select: used to confirm the operation.

Aspect ratio: used to change the signal projection proportion.

Source: the single source can be selected with this button directly, as well as the original signal.

Keystone: used to adjust the image vertically and make a square image to suit the screen.

Brightness: with this button to adjust the brightness on screen.

Using the menus

The menus on projector offer you the images configurations.

- Press Menu on control panel or remote control to initialize the menu on screen and change the Keystone and Brightness on control panel to view list, press Up/Down arrow buttons to move the cursor upwardly or downwardly, the menu selected shows brightly.



Note: sometimes, some menus may be shown with gray, which indicate that the menus can't be used or are unavailable.



Fig.14

menus

- Use Left/Right arrow buttons to select the item to be changed, after it is covered with cursor, press Select to confirm.
- Use Left/Right arrow buttons to select the submenu, if you want to back to the previous, please press Up.
- Use Up/Down arrow buttons to shift the items, after the adjustment, press Menu to close.

Display: list the menus

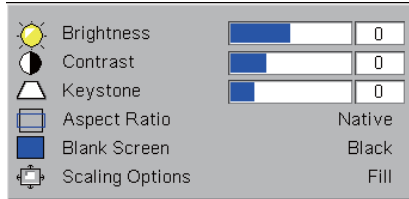


Fig.15

Display: list the menus

Brightness

Brightness: to change the image intensity.

Use Up/Down arrow buttons to adjust the Brightness ranged from 0 to 100.

Contrast

Controls the degree of difference between the lightest and darkest parts of the picture and changes the amount of black and white in the image.

Use Up/Down arrow buttons to adjust the Contrast ranged from 0 to 100.

Keystone

Changes Trapezoidal Distortion to fit screen when projector is tilted up or down relative to the optical axis.

Press Down arrow to select the Keystone and use Up/Down to adjust it ranged from -20 to 20.

Aspect ratio

Aspect ratio is the ratio of the image width to image height, 4:3 as default, HDTV and most DVDs are 16:9, click Native to display the image, and select the Aspect Ratio with the Left/Right arrow buttons.



Note: saturation suits for the video signal only.

Picture List



Note: resolution and tone adjustments suit for the video signal only.

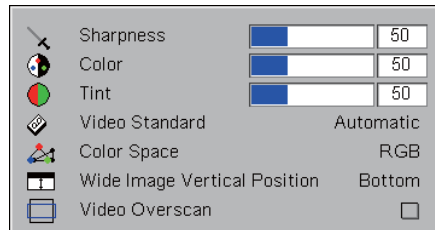


Fig.16

Picture List

Picture List

Sharpness: changes the clarity of the edges of a video image.

Color: use Left/Right buttons to adjust the image color.

Tint: use the arrow buttons to adjust the video tint.

Color Space: this option applies to computer sources. It allows you to select a color space that has been specifically tuned for the video input. When Auto is selected, the projector automatically determines the standard. To choose a different setting, turn off Auto, and then choose RGB for computer sources, choose SMPTE240, REC709 or REC601 for component sources.

Auto Synchronization

Select the Auto Synchronization and press Left/Right buttons to enable or disable the functions selected. The selected item indicates it has been enabled, the blank one indicates on the contrary.

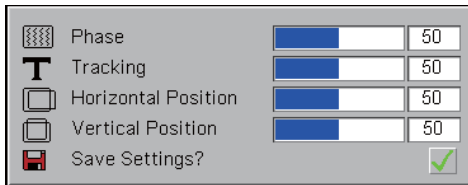


Fig.17

Auto Synchronization

Phase: adjusts the horizontal phase of a computer source subtly.

Tracking: adjusts the vertical scan of a computer source with arrows.

H. Position: adjusts the level position of a computer source with arrows.

V. Position: adjusts the vertical position of a computer source with arrows.

Language

It allows you to select a language for the on screen display of menus and messages, there are German, English, Japanese, and Chinese are available. Press Left/Right to select.



Fig.18

Language List

Advanced Menu

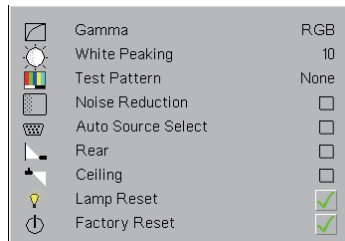


Fig.19

Advanced Menu

Gamma: diversified effects will be shown when different Gammas are selected.

White Brightness: the white brightness can be adjusted to about 100 percent. The computer signal source is default as 10, video source default as 2. All sources will be saved as long as the power supply of projector is shut down

Test Image: test images stored in the system.

Auto Source Select: configure whether the system search for the signal source automatically.

Rear-projection: diversified projection modes can be select.

Ceiling-projection: diversified projection modes can be select.

Lamp Reset: initialize the lamp usage time to zero.

Factory Initialization: initialize all items (except Rear-jection, Lamp Hours and languages) to their defaults after displaying a confirmation dialog box. Press Select to reset, otherwise, press Right arrow to select No and confirm.

Service Info

Application Version	0.0.0
OSD Version	0.0.0.0
API Version	0.0.0
Active Source	VGA
Resolution	1400x1050 60Hz
Lamp Hours	0

Fig.20

Service Info

Service Info: read only, which lists the service information, including the projector, lamp working duration and images configuration, etc.

Maintenance and Error Solution

The chapter introduces the items including:

- Cleaning Lens
- Cleaning Lamp Filter
- Replacing Projection Lamp
- Replacing remote control battery
- Using Security Lock
- Error Solution

Cleaning Lens

The steps on how to clean the lens can be listed as:

- 1 Apply a non-abrasive camera lens cleaner to a soft, dry cloth.
 - Avoid using an excessive amount of cleaner, and don't apply the cleaner directly to the lens. Abrasive cleaners, solvents or other harsh chemicals might scratch the lens.
- 2 Lightly wipe the cleaning cloth over the lens in a circular motion.
- 3 Please cover the lens if the projector not use immediately.

Cleaning Lamp Filter

Under the surrounding with dust, the lamp filter may be filled with dirt, and temperature of lamp inner module may be over heat and finally damage it. Regular cleaning can prolong the natural life of lamp, 250 hours interval is the best cleaning duration

- 1 Remove the lamp with the reference on page 30.
- 2 Examine the lamp and the dust-defended filter. If necessary, the vacuum cleaner with low power can be use to clean it. Please be extremely careful, other inner components shouldn't be touched.
- 3 Install the lamp module again

Replacing the Projection Lamp

The lamp hour timer in the Service menu counts the number of hours the lamp has been in use. When the timer reaches 3500 hours, the LED indicator shown with red, indicating the lamp module should be exchanged. You can order new lamp modules from your dealer, please refer to "Accessories" on page 37 for more information

The steps on how to clean the projection lamp can be listed as:

- 1 Turn off the projector and unplug the power cable.
- 2 Wait 60 minutes to allow the projector to cool thoroughly.
- 3 Turn the projector upside down, loosen the screw and remove the lamp door by grasping and lifting the screw.



Fig.21

Loosen the screw on lamp door

- 4 Remove the lamp door by grasping and lifting the screw



Warning: to avoid burns, allow the projector to cool for at least 60 minutes before you replace the lamp.



Warning: be extremely careful when removing the lamp housing. In the unlikely event that the lamp ruptures, small glass fragments may be generated. Please on lamp module wear protection glass. The lamp module is designed to contain most of these fragments, but use caution when removing it. Before replacing the lamp, clean the lamp compartment and dispose of cleaning materials. Wash hands after lamp replacement. This product has a lamp which contains a very small amount of mercury. Dispose of it as required by local, state or federal ordinances and regulations. For more information please login www.eiae.org



Warning: do not drop the lamp module. The glass may shatter and cause injury.



Fig.22

Remove the lamp door by grasping and lifting the screw

- 5 Carefully remove the lamp module by grasping and lifting the metal bail wire. Dispose of the lamp in an environmentally proper manner.



Fig.23

removing the lamp housing

- 6 Install the new lamp module, making sure that it is properly seated. The connector locates near the leveling foot.
- 7 Replace the screws on the lamp module.
- 8 Plug in the power cable then press the Power button to turn the projector back on.
- 9 Reset the lamp hour timer. Please view the menu of Setup/Service, and select Reset lamptimer. Refer to the Service menu for details on Page 26.

Replacing the Remote Control Batteries

The batteries life depends on the usage frequency and duration of remote control. All error operations on the remote control are all the reasons for the insufficient batteries.

- 1 Put the remote control on hand with face flooring side.
- 2 Slide the cover off the remote control.
- 3 Carefully remove the batteries. Dispose of them in an environmentally proper manner.
- 4 Install two (2) provided AAA batteries and make sure they are installed in the proper orientation
- 5 Slide the cover on

Using the security lock

The projector has a security lock can work accompany with the “PC Guardian Cable Locking System” (Fig.27), please refer to the “Accessories” on page 37 for purchasing.

Please refer to the information that appended by the lock on how to use it



Fig.24

security lock

Error Solution

LED Indicator

If the projector can't work normally and the red LED is blinking, refer to Fig.13 on page 18 for details.

- When the lamp LED indicator shown with red in stable, which indicates the lamp should be changed, please refer to page 30 for details.
- LED blinking red, which indicates the projector is too hot, please shut it down and cool it..

The other LED indicator shows the working status in normal.

- LED indicator shown with green in stable, which indicates the projector is turned on.
- LED blinking green, which indicates there are non activity source signal available, or the machine under the mode of DPMS, please refer to the page 24 for details.
- LED blinking orange-blue, which indicates the projector will enter into the standby status, when it shows blue in stable, indicating the projector under the status of standby, please refer to page24 for details.

Error: projector doesn't work

- Please make sure the power supply cable is inserted on the AC slot and connected to the projector correctly.
- If the power cable is inserted correctly, make sure the power socket and projector are turned on, and LED shown with green in stable.

Error: projector works but noting display.

- Make sure the cover on the projector lens is moved.
- Make sure the Mask under the Effect menu is disabled and refer to page 25 for details.
- Make sure the lamp module is installed on the projector solidly, and refer to "Replacing Projection Lamp" on page 30 for details.

Error: the screen is initialized only.

- Make sure all the cables are connected correctly and refer to the steps on page 7 for details.
- Make sure all the cable pins aren't bended.
- Make sure the input signal source is proper and refer to page 17 for details.
- Please try to configure the projector again, and refer to page 22 for details.
- Turn off all the equipment power supplies, and turn on them with proper order separately. Please refer to the computer document for details.
- Make sure the external video interfaces on desktop computers are all enabled. Please refer to the Computer User's Guide for details.
- Make sure the display card is installed on the computer and configured properly.
- Make sure the computer compatible with the display card. The projector is not compatible with CGA or EGA
- When the Windows 98 is adopted:
 - 1 Please select "My Computer", "Control Panel" and "Display subsequently".
 - 2 Click "Setting"
 - 3 Make sure the resolution of desktop no more than 1280*1024.

Error: the projector can't display colors or the documents.

- Adjust the brightness to show the documents, please refer to page 22 for details.

Error: improper display resolution.

- Make sure the computer display card resolution no more than 1280*1024.

Error: the image on screen is not in center.

- Move the projector to orient the image again.
- Orient the image again with the menus. Please refer to page 23 for details.
- The projector should be positioned at a 90 degree angle to the screen.

Error: the image width is not suitable for the screen.

- Adjust the zoom or projector position.
- Adjust the image width. Please refer to page 23 for details.

Error: the image is not focus

- Rotate the projector lens and adjust the focus.
- Make sure the distance between projector and screen no less than 4.9'(1.5m) and the projector position at a 90 degree angle to the screen.
- Detect whether the lens need to be cleaned.

Error: no response from the remote control

- Make sure the batteries in the remote control are sufficient enough.
- Make sure the batteries are installed correctly.

Error: no sound available

- Detect the audio input connectors.
- Adjust the volume of projector or audio signal source.
- Make sure the loudspeaker isn't mute.

Error: the image and menu are in reverse

- May be the Rear-projection mode is selected. Please close the Rear under the System menu and refer to page 24 for details.

Error: the image is distorted

- Try to configure the projector again and refer to page 22 for details.
- Adjust the image tone. Please refer to page 23 for details.

Error: the projection color can't match to the computer or video player

- Just like the colors may be diversified on different computers, the images showing on computer may distinguish from displaying on projector as well. Please adjust the Brightness, Color, Contrast under the Main menu, refer to page23 for details.

Error: the lamp is darker more.

- After using for a long period, the brightness of lamp may be weaken. Please change the lamp as the ways listed on page30.

Error: the lamp is extinguished

- Slight surge may result the lamp distinguished. Turn off the projector power supply for one minute and then turn on again.
- Make sure the projector ventilation is not covered.



Note: use only approved accessories. Other products haven't been surveyed can be used to accompany with the projector, please login our website to subscribe the latest accessory list.

Accessories

Standard Accessories (shipped with the projector)

User's Guide

Carry Case (wrapper included)

Computer Cable 6' (1.8m)

Power Cable

Remote control

Projector Lamp Module (included in projector)

The item with * may be diversified in different countries.

Optional Accessories

Super Video(S-video) Cable

Video Cable 6' (1.8m)

Spare lamp

Projector Security Lock

Remote control, laser indication supported.

Screen, 40' portable.

Screen, 50' portable.

Projection Image Size

Please look up the following list for the image size:

Table 1

Wide-angle Image Size

Projection Distance (m)	Projection Distance (Inch)	Diagonal(m)	Diagonal(inch)
1.5	59	1.0	39
2.3	92	1.5	60
3.2	126	2.0	80
3.9	154	2.5	100
5.9	232	3.8	150
8.3	327	5.1	200
10.0	394	6.1	240

Table 2

Remote-angle Image Size

Projection Distance (m)	Projection Distance (Inch)	Diagonal(m)	Diagonal(inch)
1.5	59	0.9	35
2.3	92	1.4	54
3.2	126	1.9	73
3.9	154	2.3	91
5.9	232	3.5	136
8.3	327	4.6	182
10.0	394	5.5	218

DLP Front Projector

JAVES PROJECTOR

Room 207, 2/F., Block B, Seaview Estate,
Watson Road, North Point, Hong Kong.

Tel: (852) 2887 5151
Fax: (852) 2503 1144
Website: www.javesprojector.com
E-mail: sales@javesprojector.com